

4

3

2

1

F

F

E

E

D

D

C

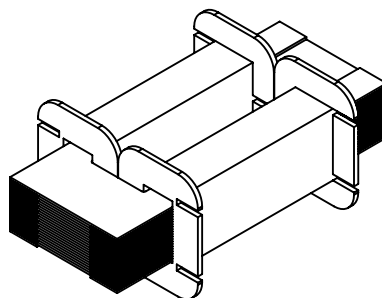
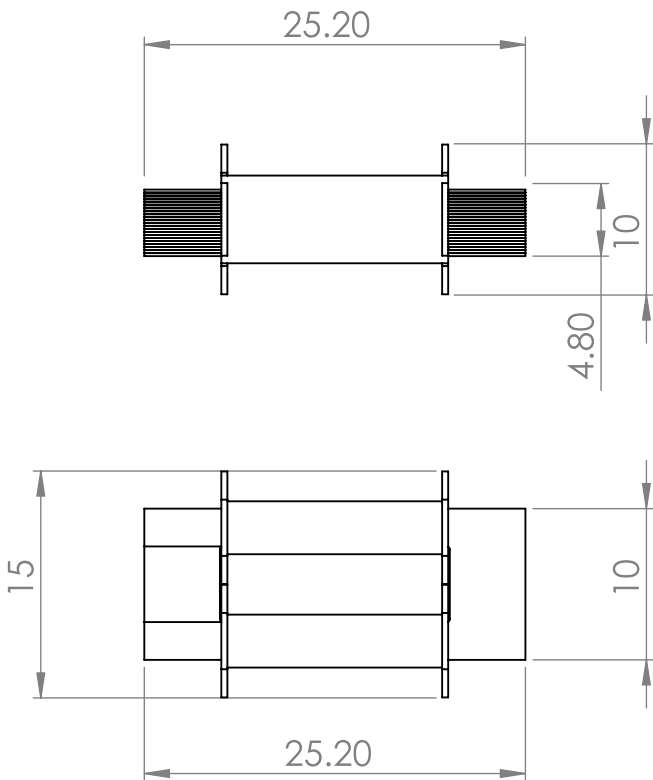
C

B

B

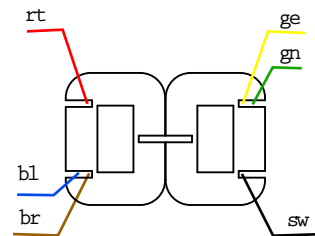
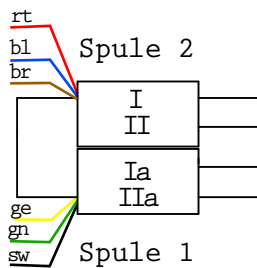
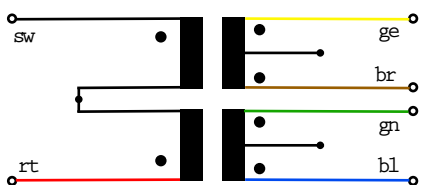
A

A



Schematics:

Physical leads arrangement:



UNLESS OTHERWISE SPECIFIED:
 DIMENSIONS ARE IN MILLIMETERS
 SURFACE FINISH:
 TOLERANCES:
 LINEAR:
 ANGULAR:

FINISH:

DEBURR AND BREAK SHARP EDGES

DO NOT SCALE DRAWING

REVISION

	NAME	SIGNATURE	DATE	
DRAWN				
CHK'D				
APPV'D				
MFG				
Q.A				
				MATERIAL:
				WEIGHT:

TITLE:	<h1>Ü11</h1>	
DWG NO.		A4
SCALE:2:1		SHEET 1 OF 1

4

3

2

1