

6

5

4

3

2

1

D

D

C

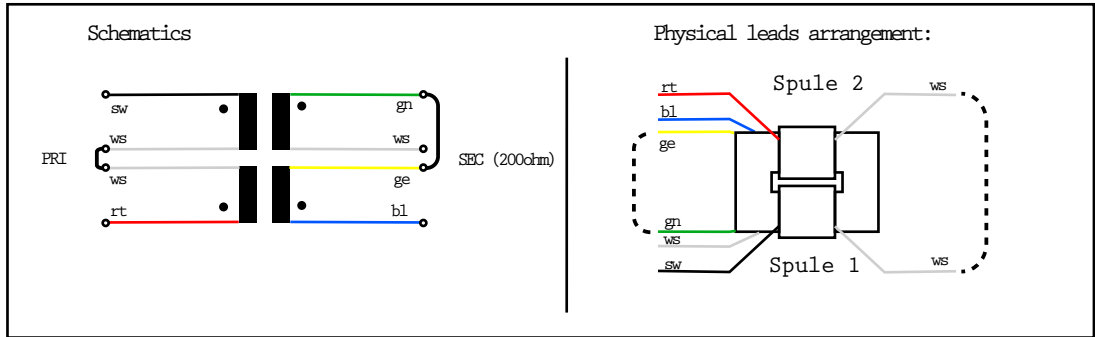
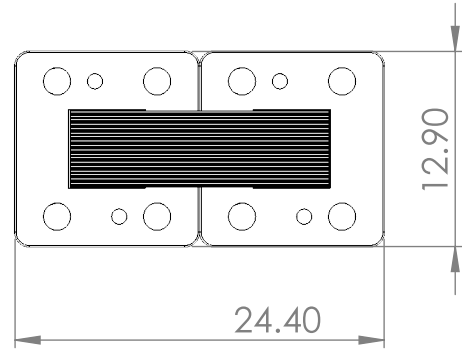
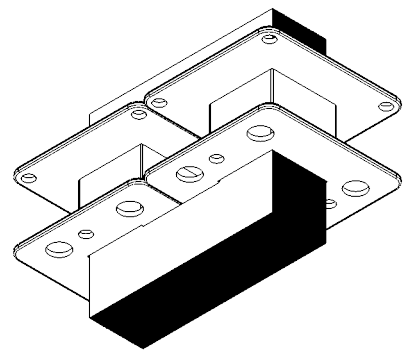
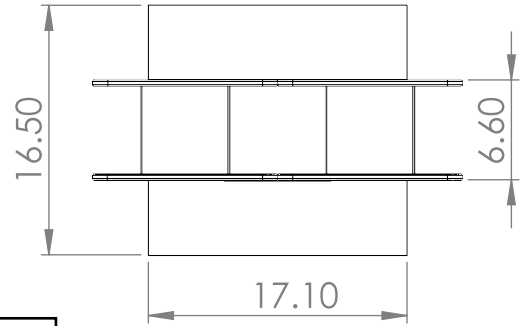
C

B

B

A

A



UNLESS OTHERWISE SPECIFIED: DIMENSIONS ARE IN MILLIMETERS SURFACE FINISH: TOLERANCES: LINEAR: ANGULAR:				FINISH:		DEBURR AND BREAK SHARP EDGES		DO NOT SCALE DRAWING		REVISION					
								<h1>Bv.107</h1>							
												TITLE:			
												DWG NO.		A4	
												SCALE:2:1		SHEET 1 OF 1	
	NAME	SIGNATURE	DATE					MATERIAL:							
DRAWN															
CHK'D															
APPV'D															
MFG															
Q.A															
								WEIGHT:							

6

5

4

3

2

1