

4

3

2

1

F

F

E

E

D

D

C

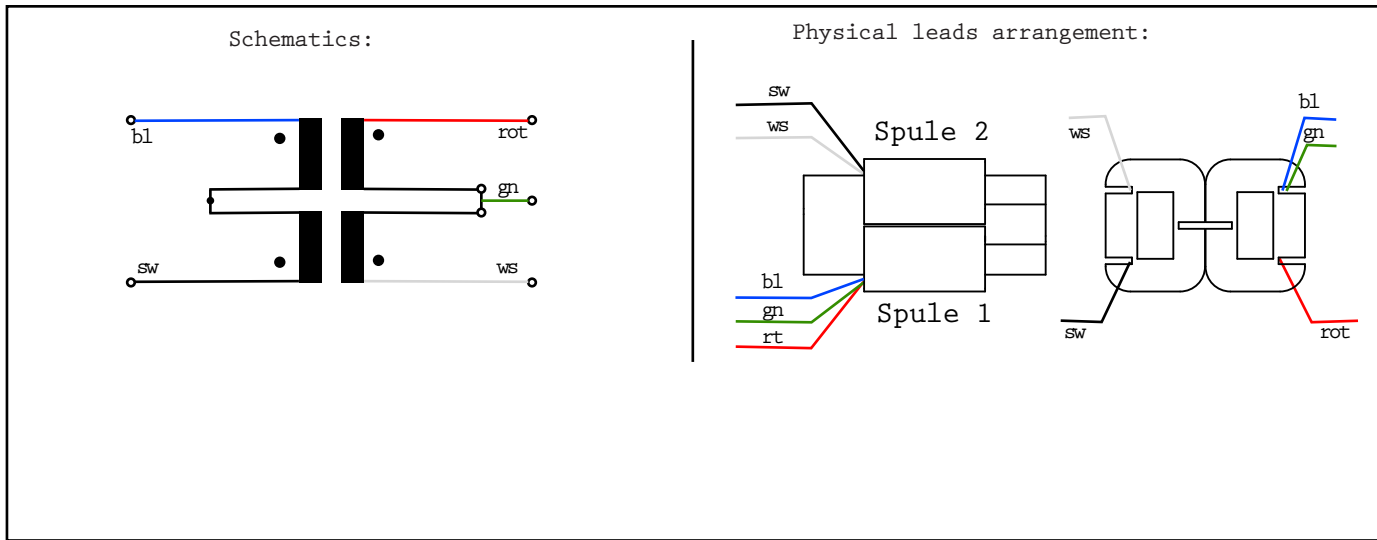
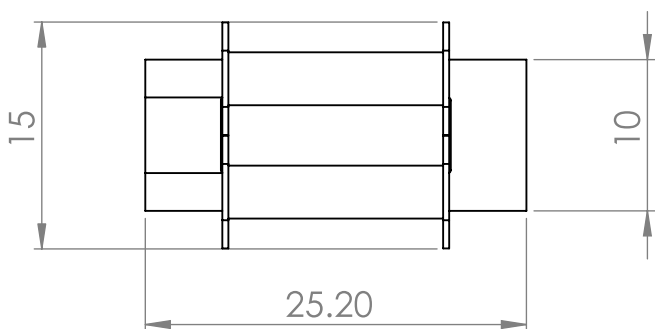
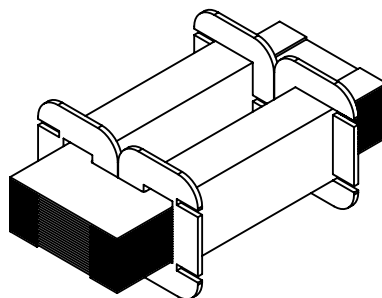
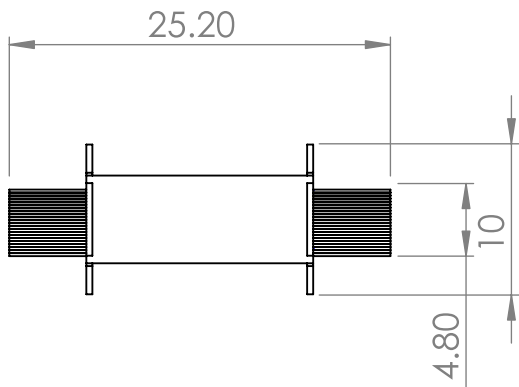
C

B

B

A

A



UNLESS OTHERWISE SPECIFIED: DIMENSIONS ARE IN MILLIMETERS SURFACE FINISH: TOLERANCES: LINEAR: ANGULAR:			FINISH:	DEBURR AND BREAK SHARP EDGES	DO NOT SCALE DRAWING	REVISION
NAME	SIGNATURE	DATE	TITLE: <b>Ü54</b>			
DRAWN			DWG NO.			A4
CHK'D			SCALE:2:1			SHEET 1 OF 1
APPV'D			MATERIAL:			
MFG			WEIGHT:			
Q.A						

4

3

2

1