

6

5

4

3

2

1

D

D

C

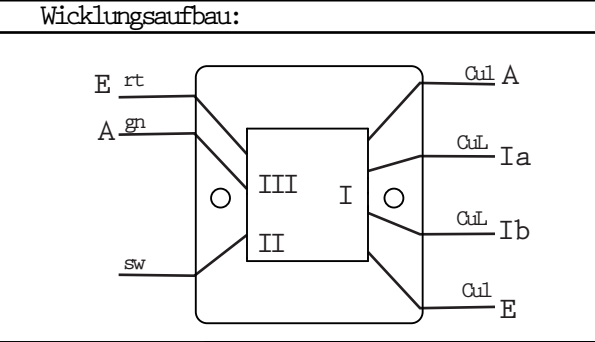
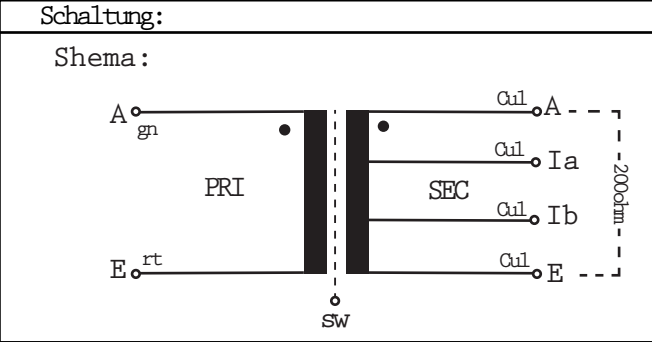
C

B

B

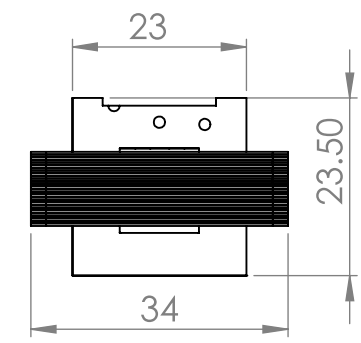
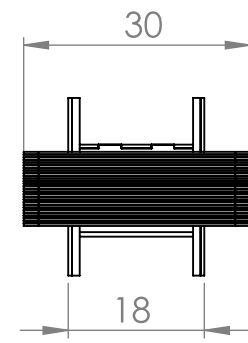
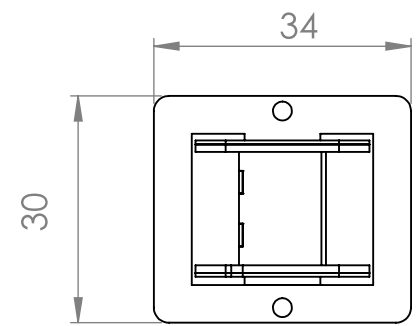
A

A



Connection for 200ohm sec.
For other connections use the original schematics.

V2545



UNLESS OTHERWISE SPECIFIED: DIMENSIONS ARE IN MILLIMETERS SURFACE FINISH: TOLERANCES: LINEAR: ANGULAR:				FINISH:		DEBURR AND BREAK SHARP EDGES		DO NOT SCALE DRAWING		REVISION	
								TITLE:			
DRAWN				NAME		SIGNATURE		DATE			
CHK'D											
APPV'D											
MFG											
Q.A								MATERIAL:		DWG NO.	
										V2545	
										A4	
								WEIGHT:		SCALE:1:1	
										SHEET 1 OF 1	

6

5

4

3

2

1