

6

5

4

3

2

1

D

D

C

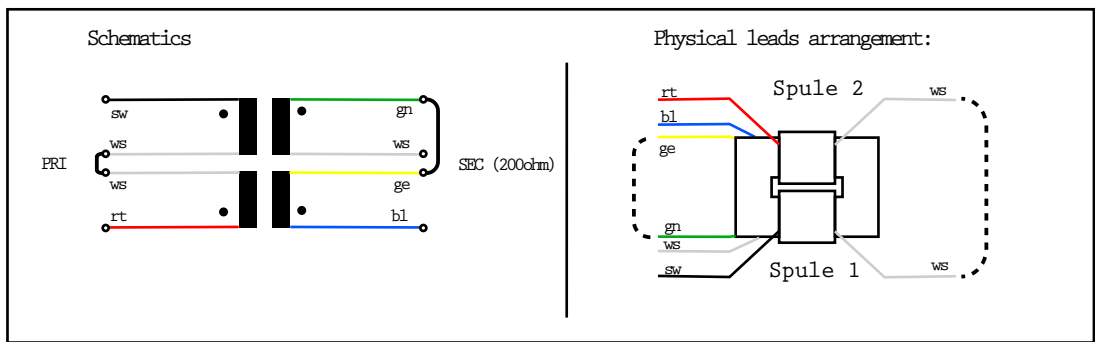
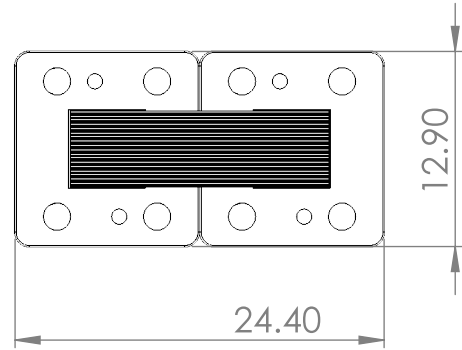
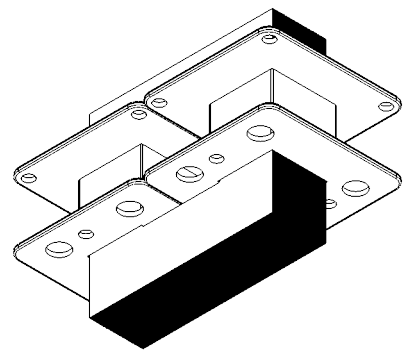
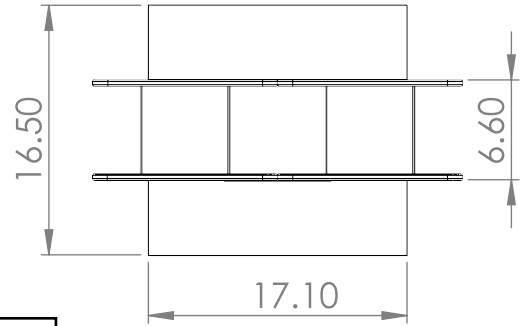
C

B

B

A

A



UNLESS OTHERWISE SPECIFIED: DIMENSIONS ARE IN MILLIMETERS SURFACE FINISH: TOLERANCES: LINEAR: ANGULAR:				FINISH:		DEBURR AND BREAK SHARP EDGES		DO NOT SCALE DRAWING		REVISION			
								TITLE: Bv13					
DRAWN				NAME		SIGNATURE						DATE	
CHK'D													
APPV'D													
MFG													
Q.A								MATERIAL:		DWG NO.			
								WEIGHT:		SCALE:2:1			
										SHEET 1 OF 1			
										A4			

6

5

4

3

2

1